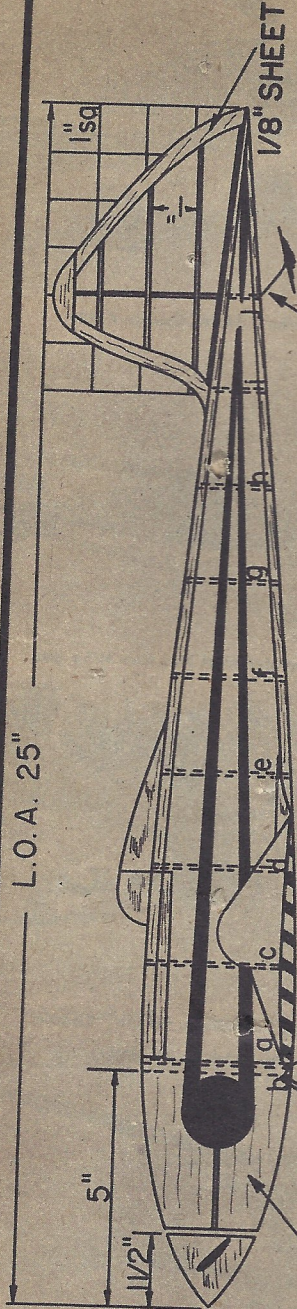


L.O.A. 25"



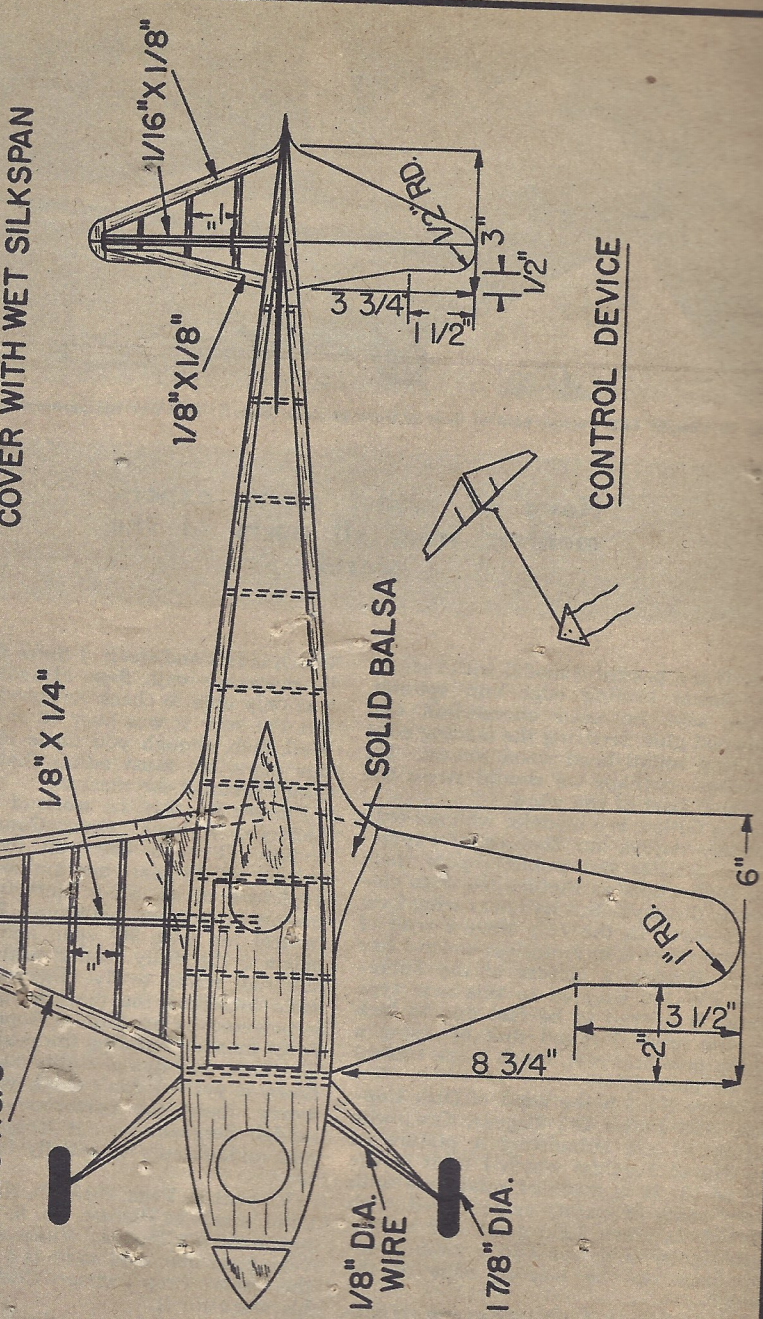
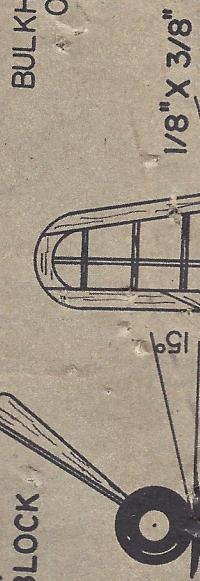
PINE BLOCK

BULKHEADS SPACED ON 2" CTS.

.040 WIRE

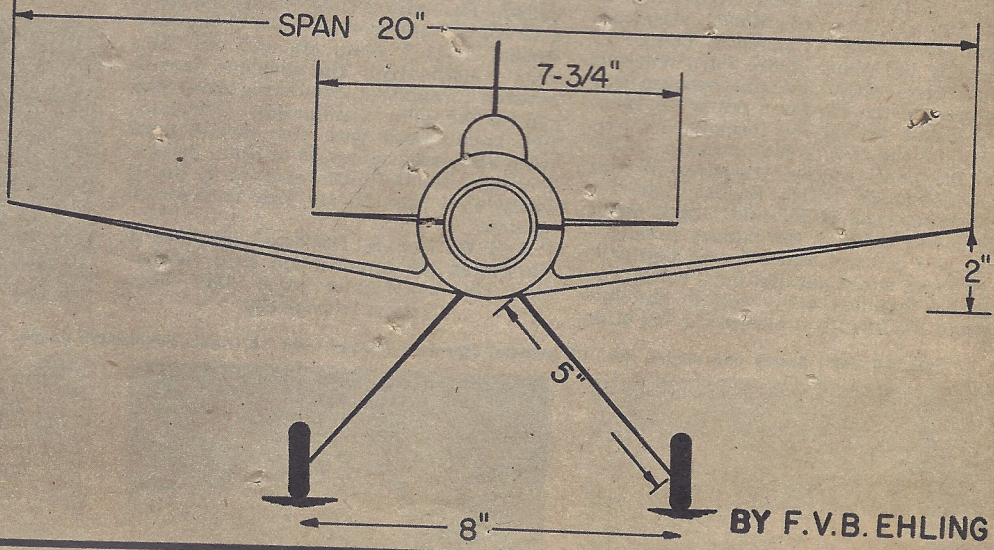
NOTE

ALL PARTS BASS UNLESS STATED
CEMENT ALL JOINTS WELL
COVER WITH WET SILKSPAN



CONTROL DEVICE

POWER
.19 - .35



BY F.V.B. EHLING