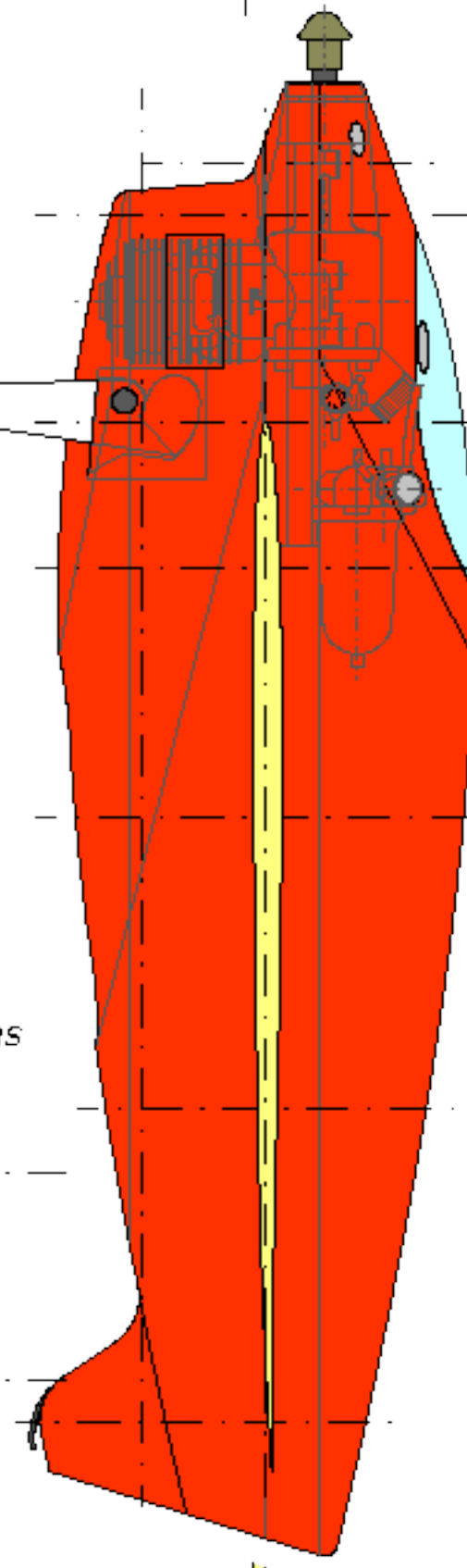
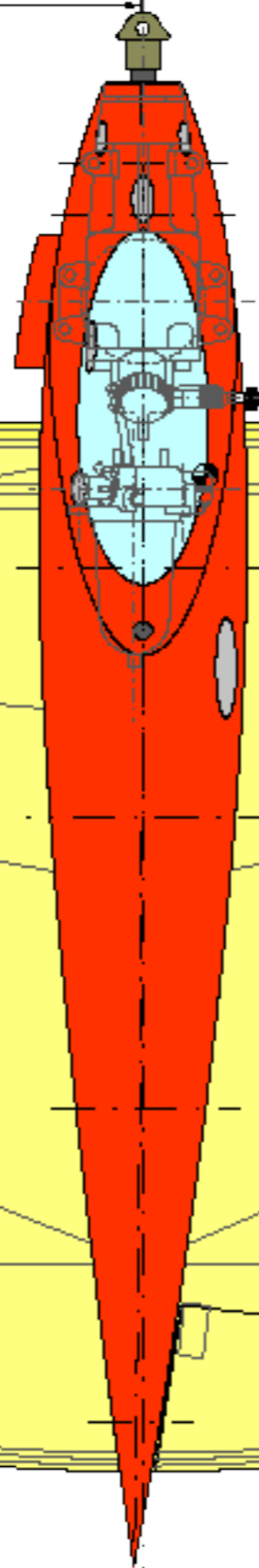


FAI F2C Control Line Team Racer 1996  
Göran Olsson, Stockholm, SWEDEN

Propeller: single blade,  
diameter: 194 mm, pitch: 165 mm



100 mm



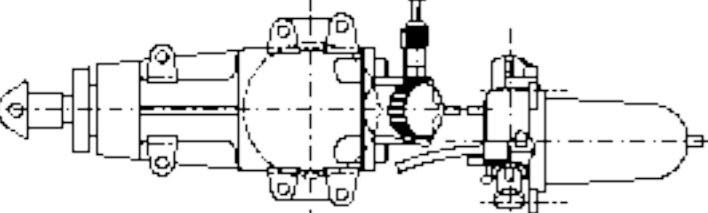
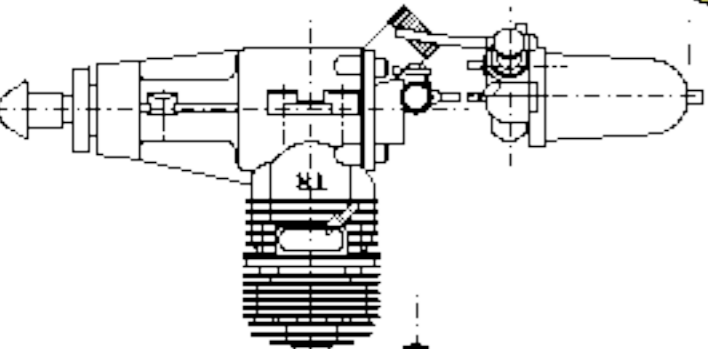
**MCMXCVI**

**SE-1362**

Area: 121170.0 sq. mm

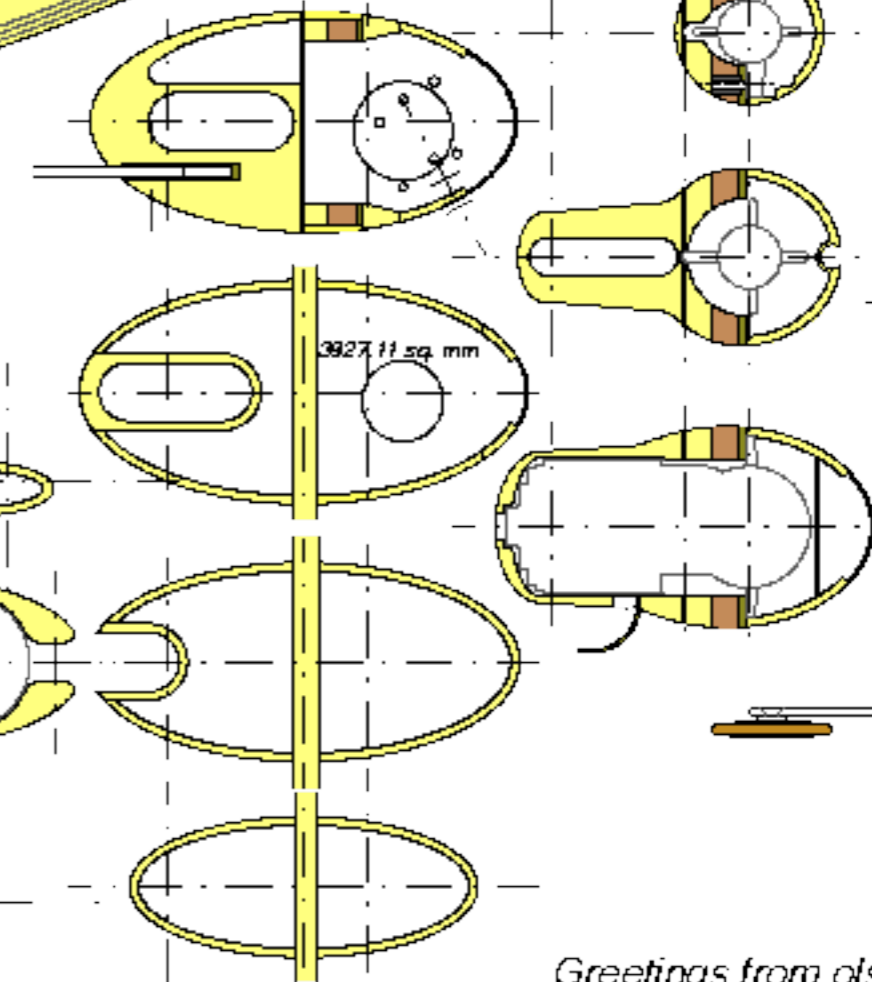
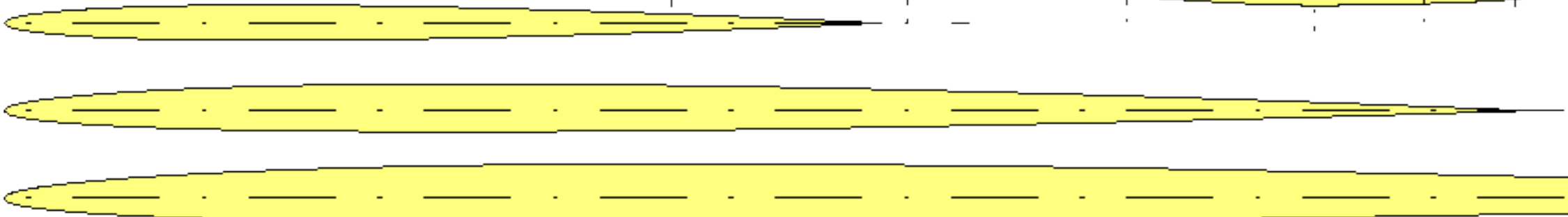
Fuselage Sections

Engine: JM 15 TR 2.48 cc  
Tank & Filler Valve: JM 6.85 cc



Designed by Yakov Mazniak, Kharkov, Ukraine

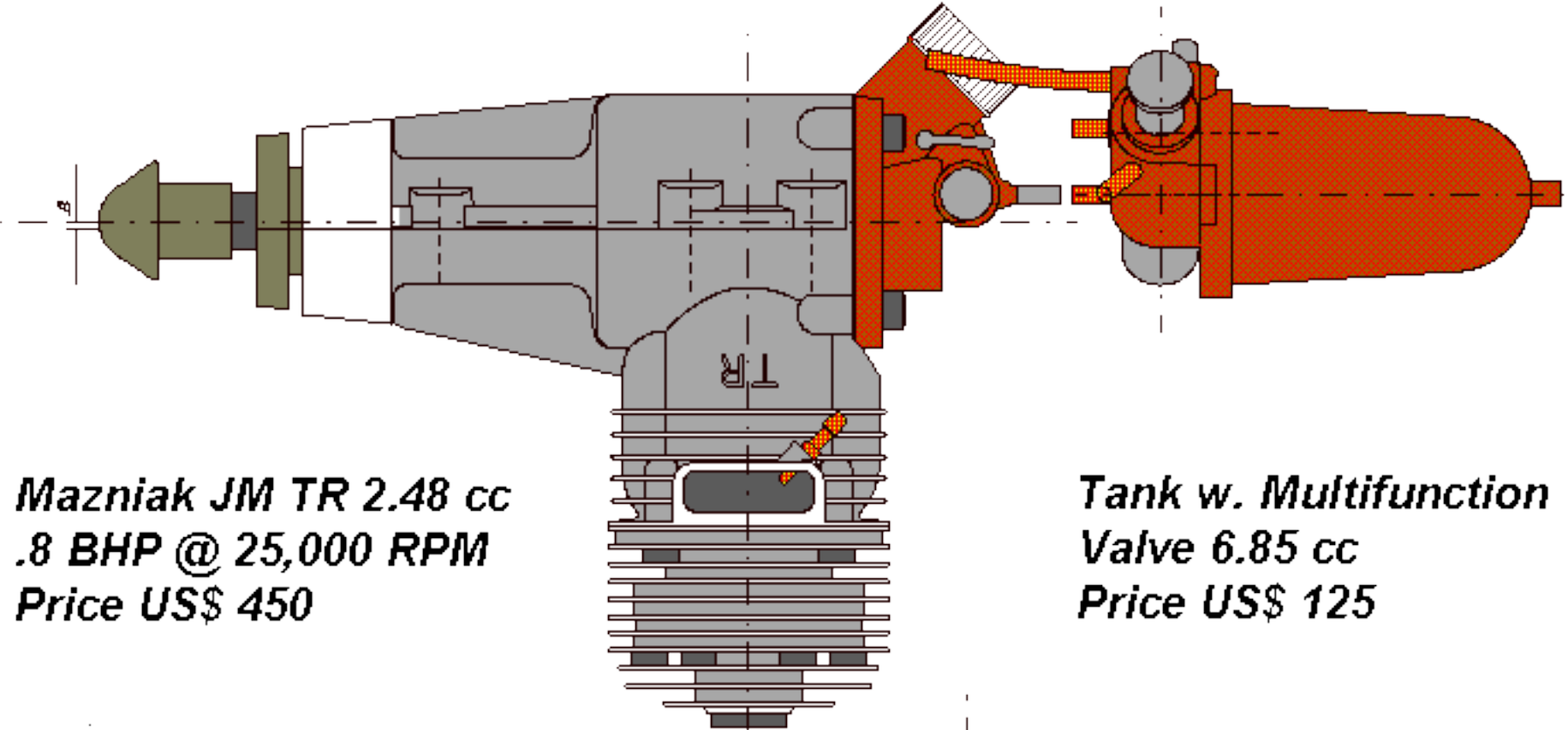
Wing Sections 1:1



3927.11 sq. mm

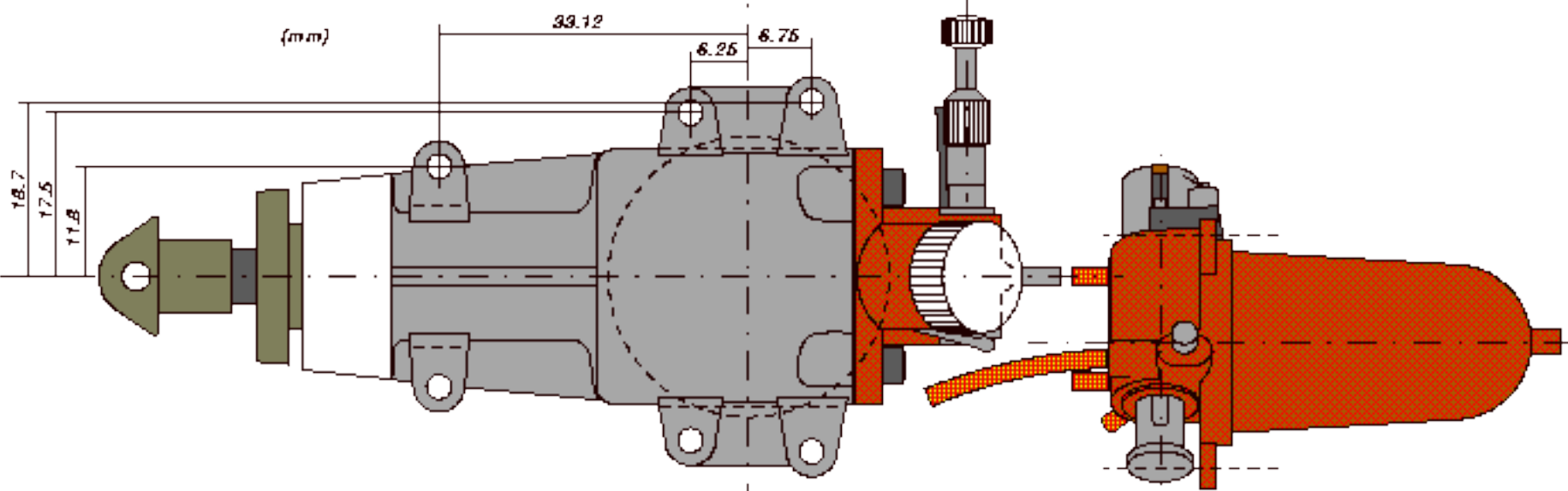
Version 1.9

Greetings from [olsson@plasma.kth.se](mailto:olsson@plasma.kth.se)

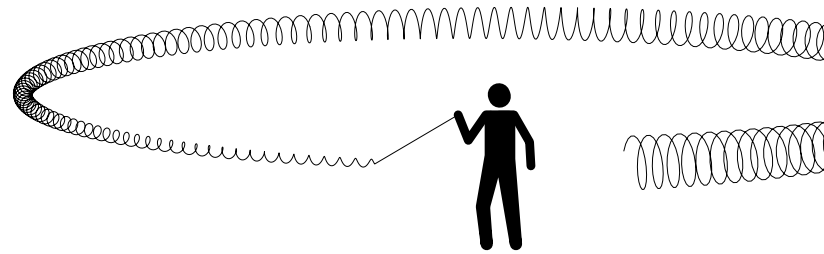


**Mazniak JM TR 2.48 cc**  
**.8 BHP @ 25,000 RPM**  
**Price US\$ 450**

**Tank w. Multifunction**  
**Valve 6.85 cc**  
**Price US\$ 125**

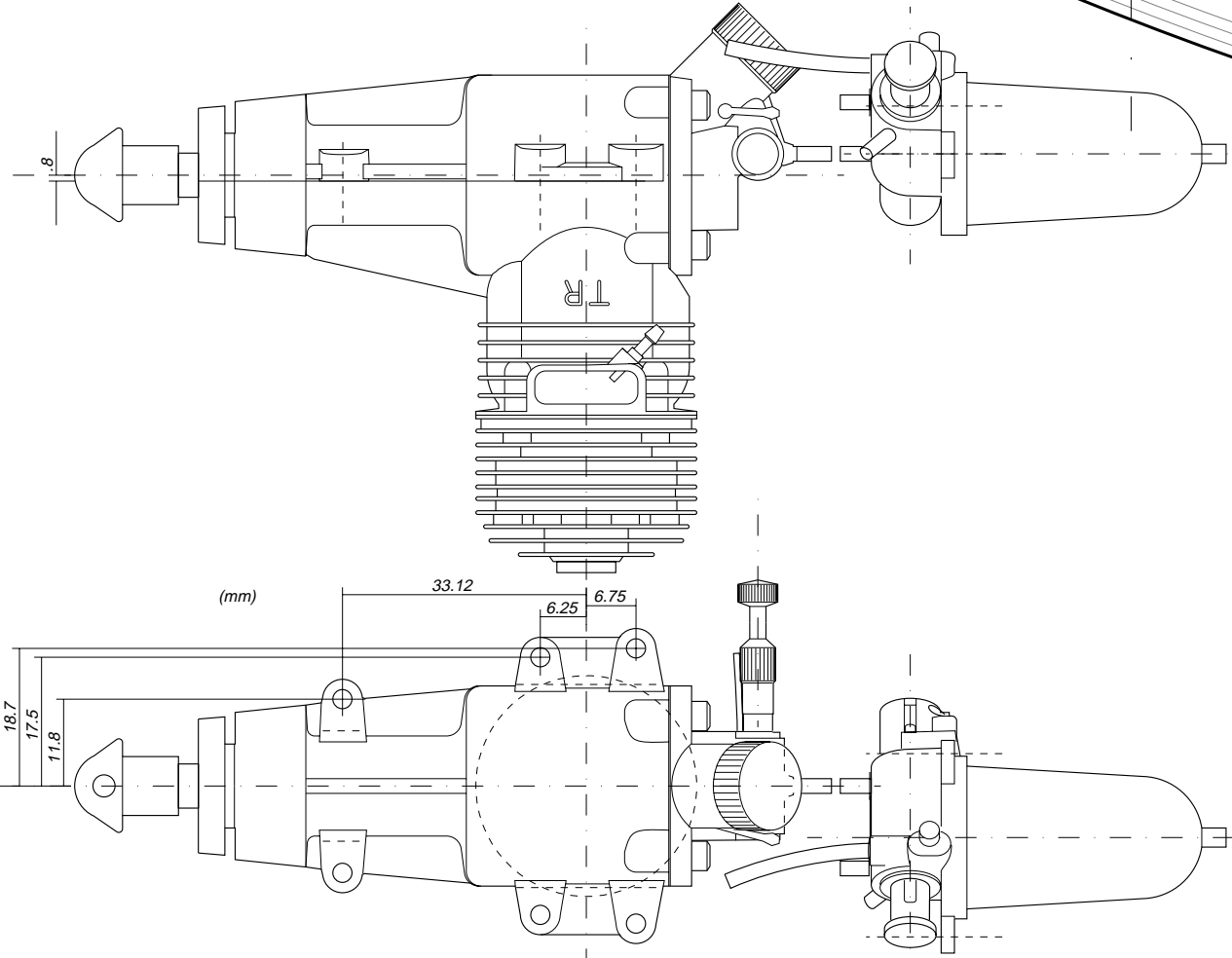


*FAI F2C Control Line Team Ra  
Göran Olsson, Stockholm, SW*



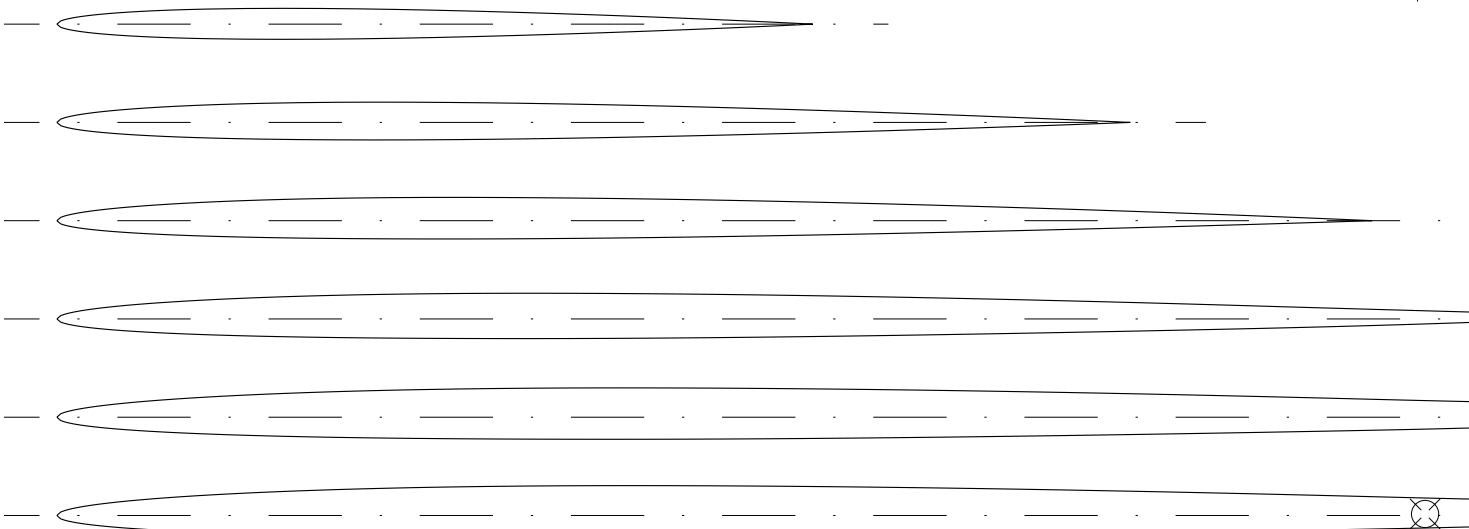
**MICMIXC**

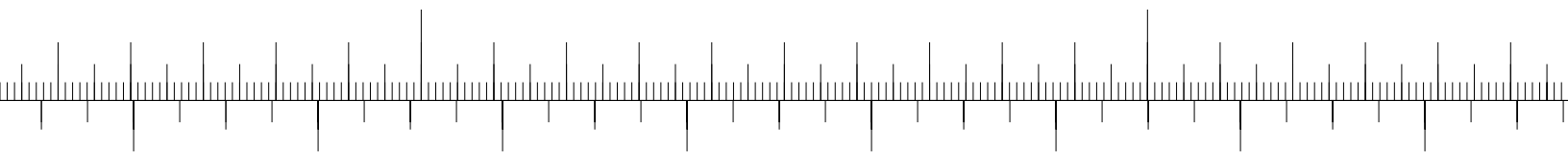
*Engine: JM 15 TR 2.48 cc*  
*Tank & Filler Valve: JM 6.85 cc*



*Designed by Yakov Mazniak, Kharkov, Ukraine*

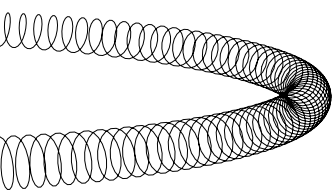
*Wing Sections*





*n Racer 1999*  
**SWEDEN**

*Prop*  
*diam*

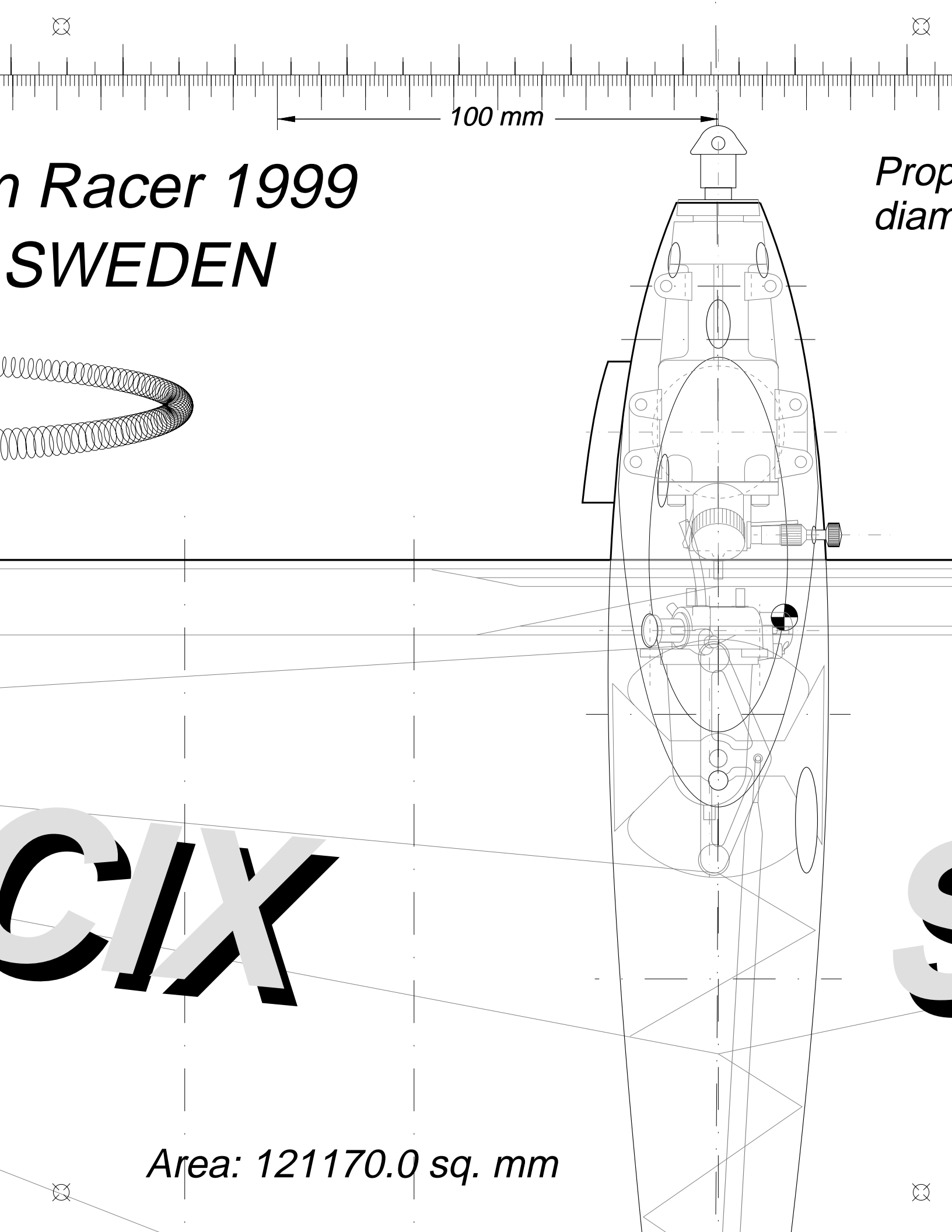


100 mm

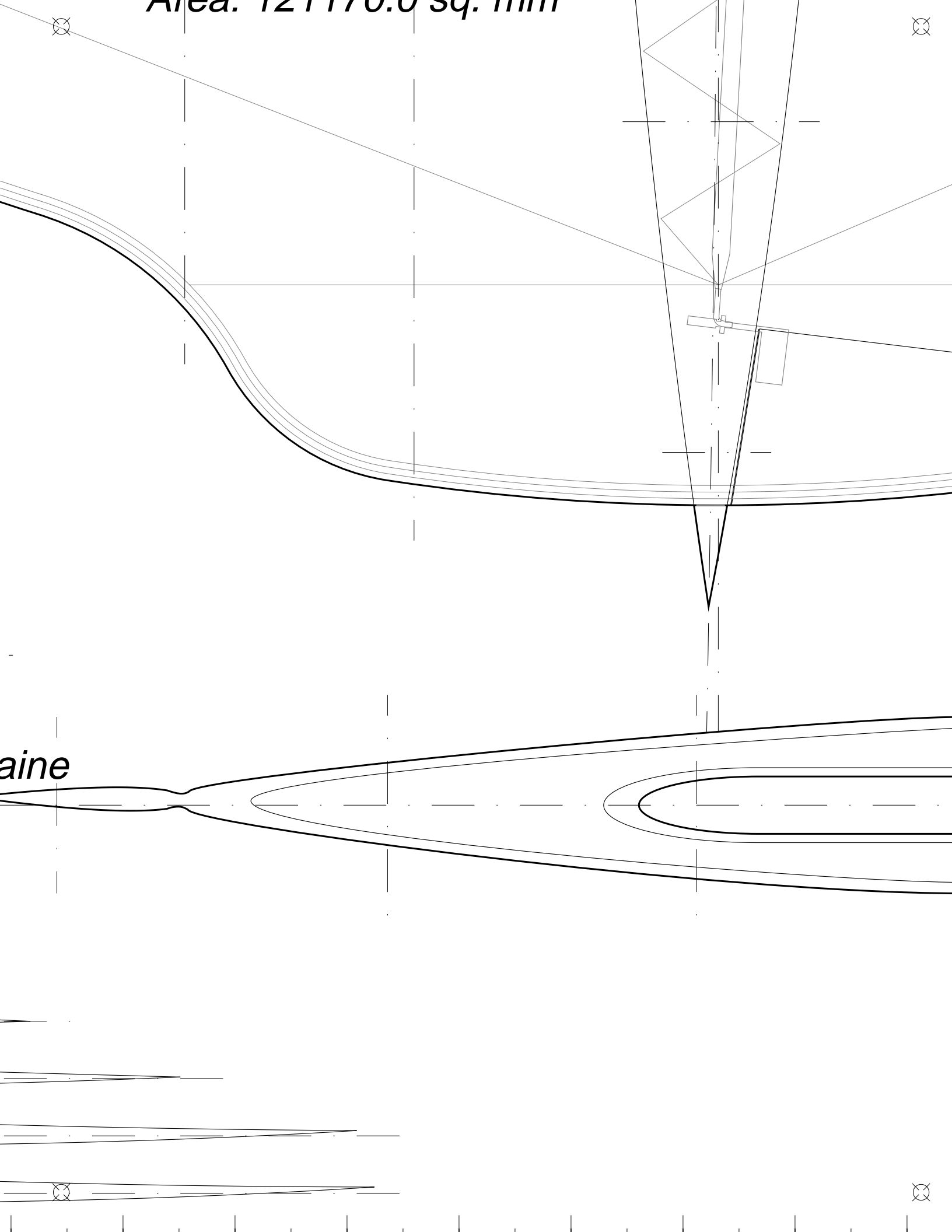
**CIX**

**S**

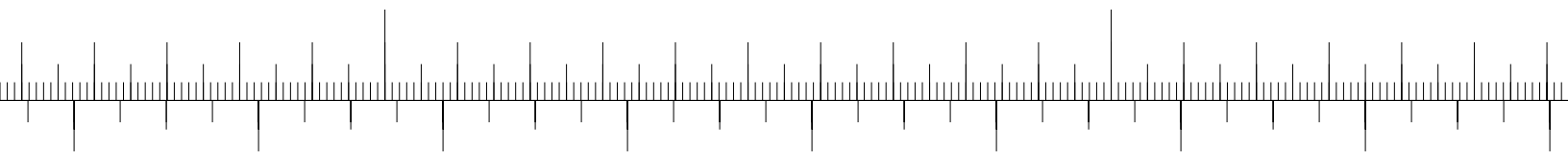
*Area: 121170.0 sq. mm*



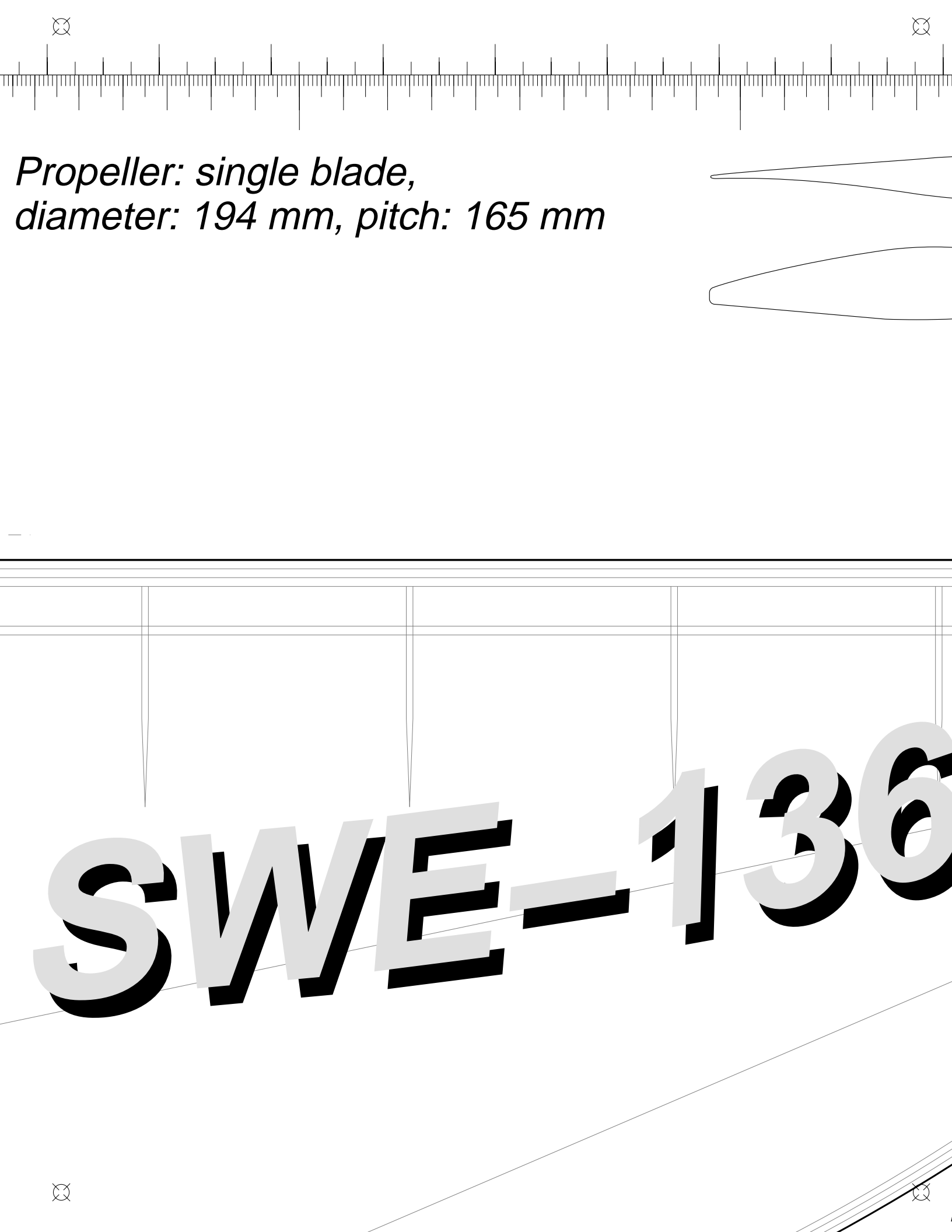
*Area. 121170.0 sq. mm*



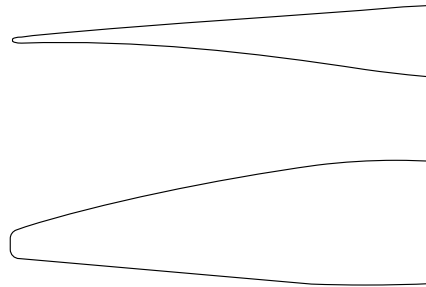
*aine*



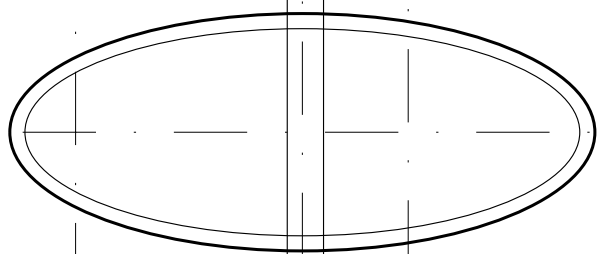
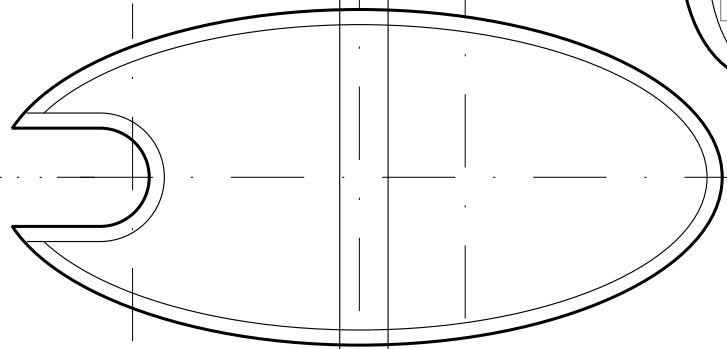
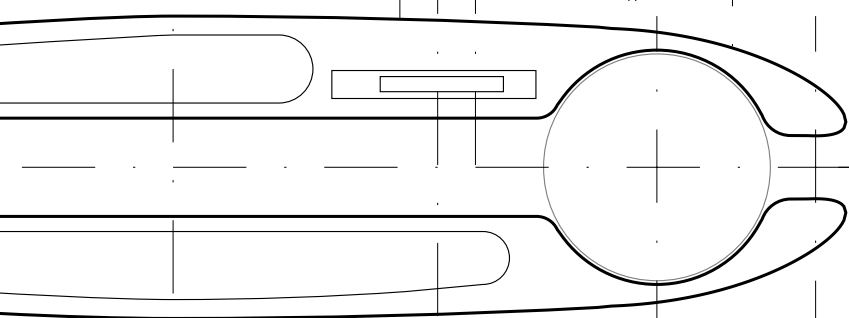
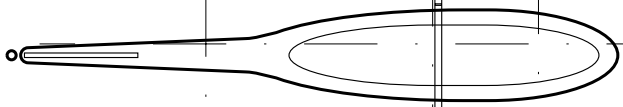
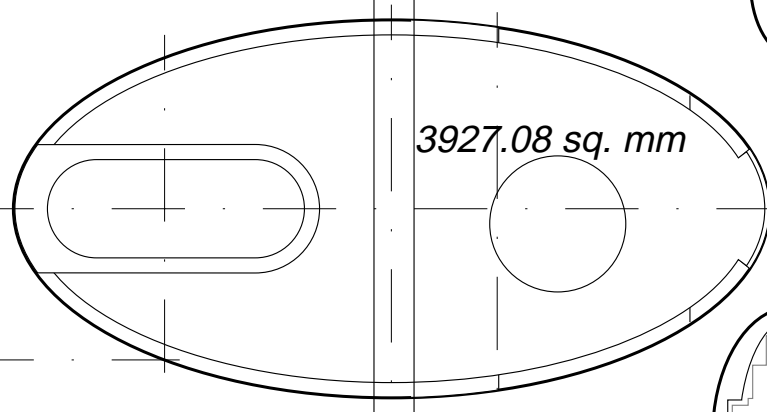
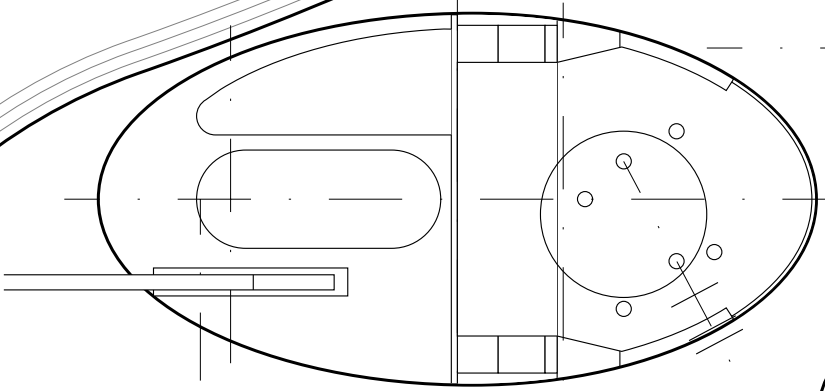
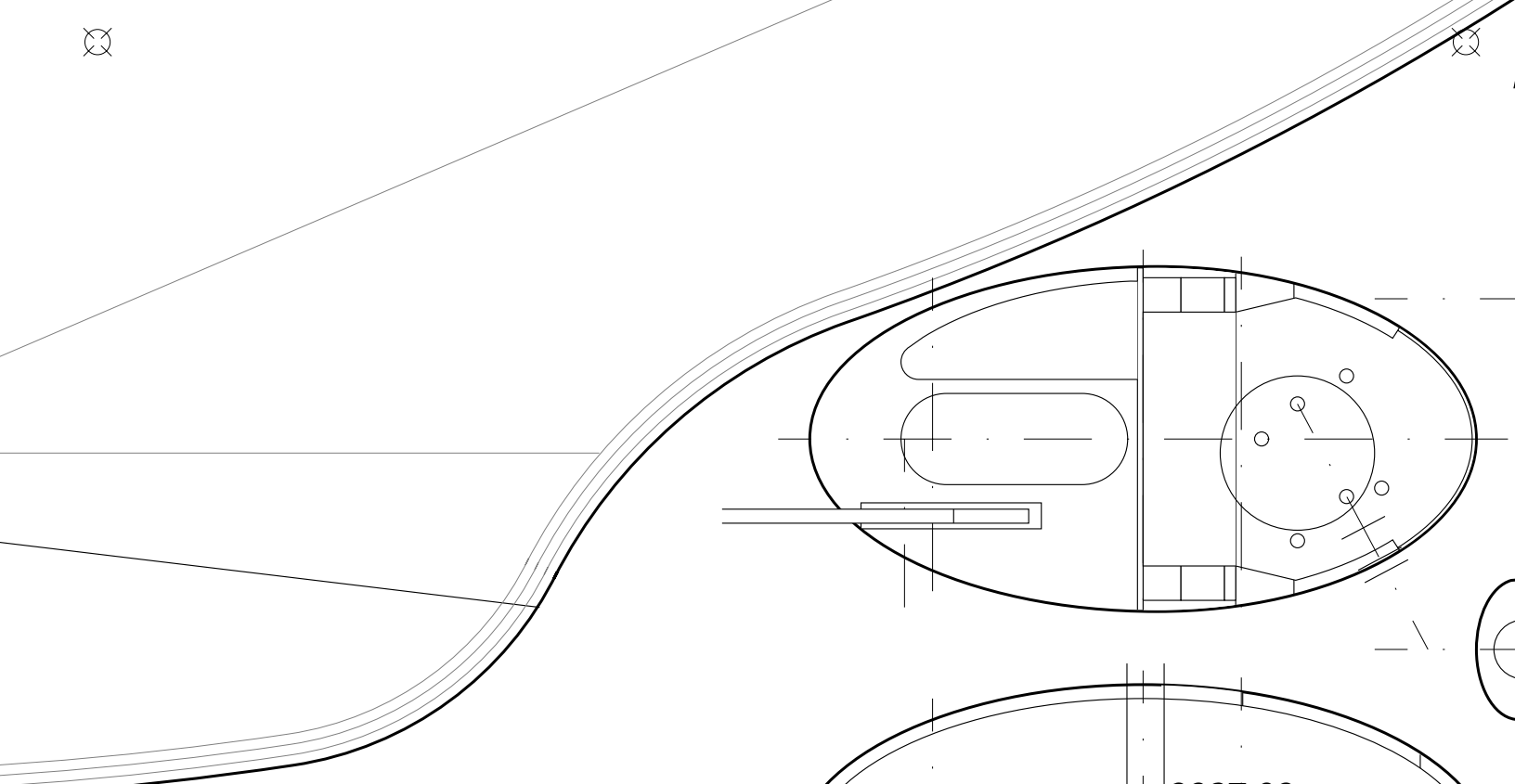


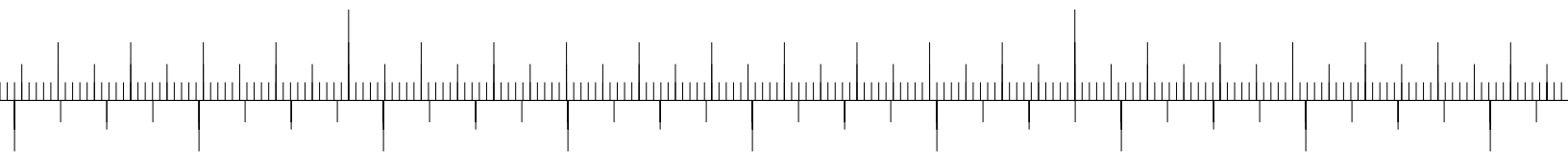


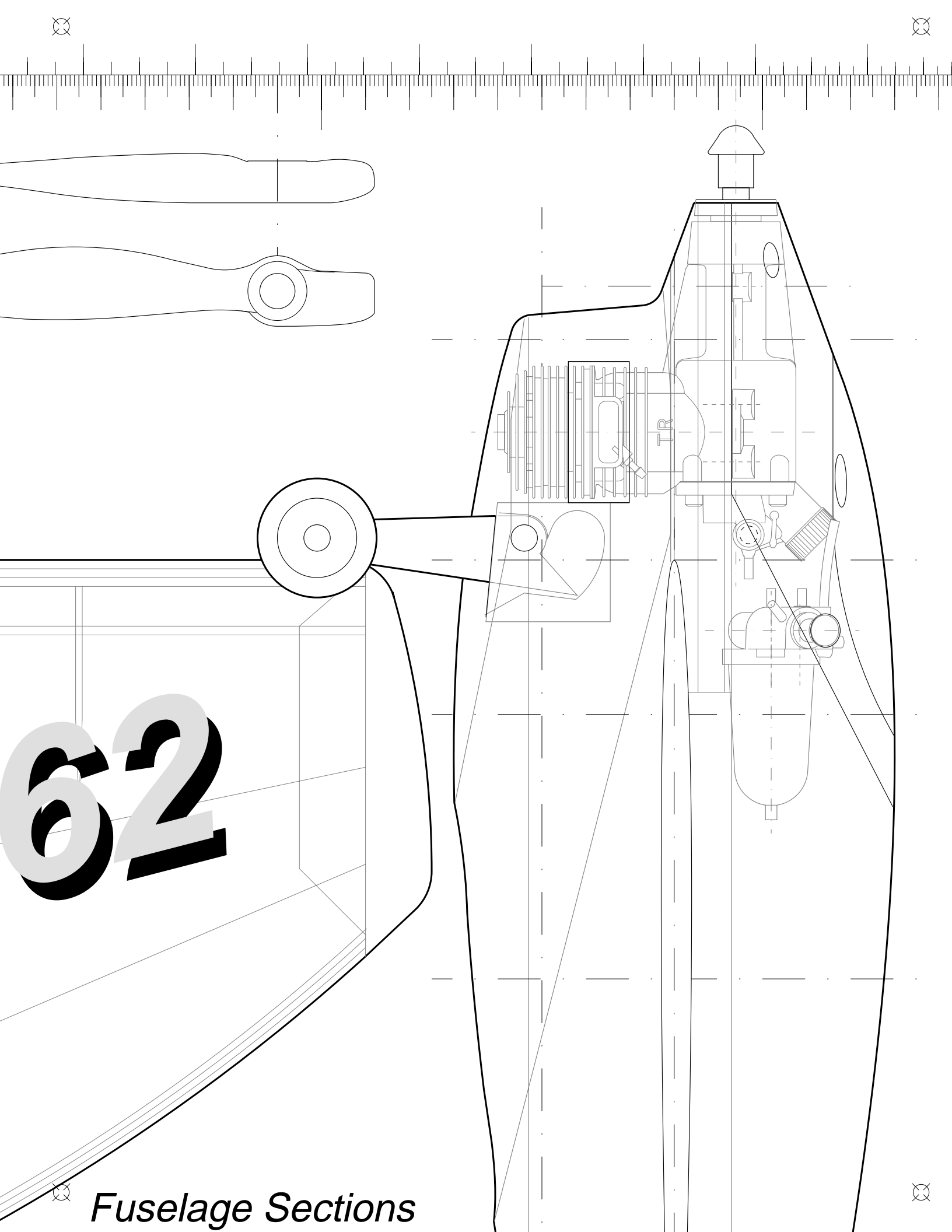
*Propeller: single blade,  
diameter: 194 mm, pitch: 165 mm*



**SWE-136**



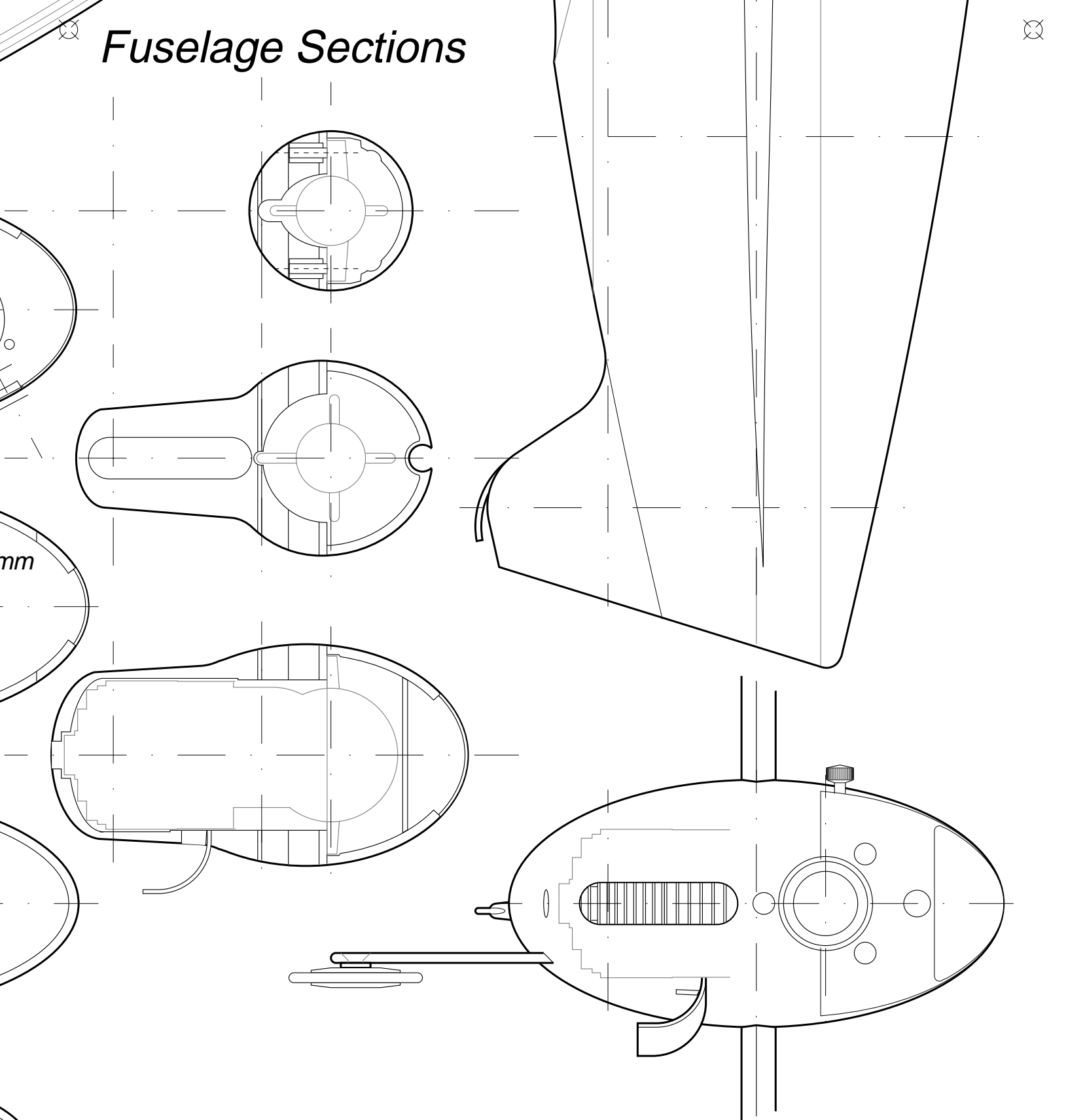




62

*Fuselage Sections*

# Fuselage Sections



*Version 1.10*

*Greetings from olsson@plasma.kth.se*

