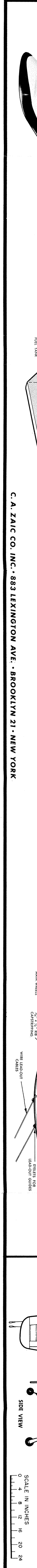
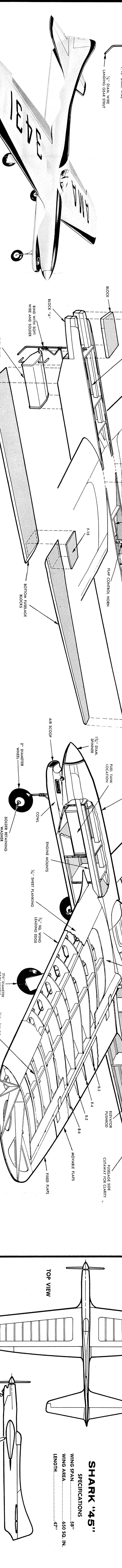
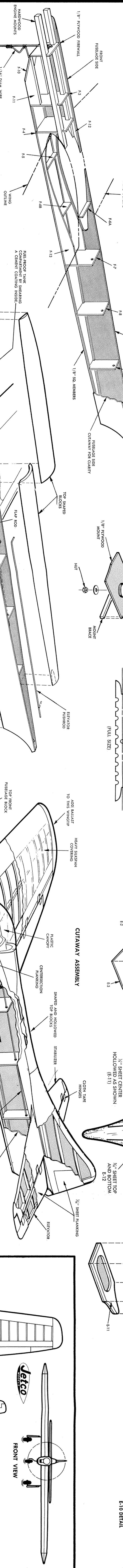
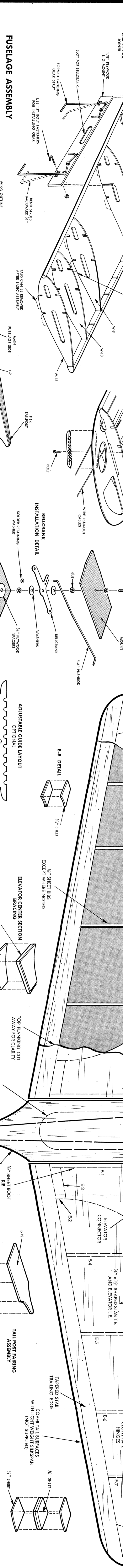
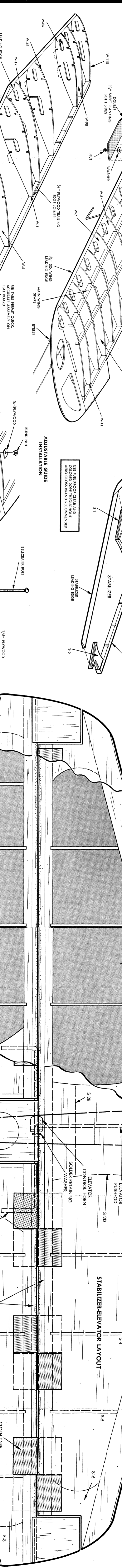
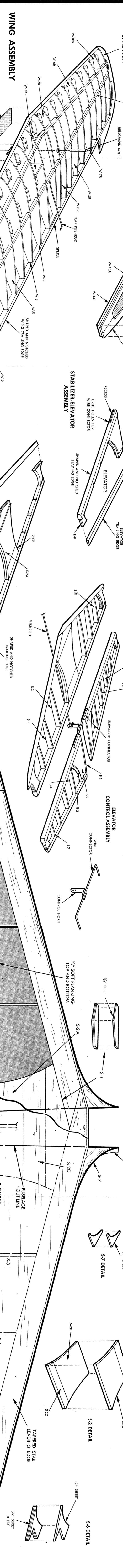
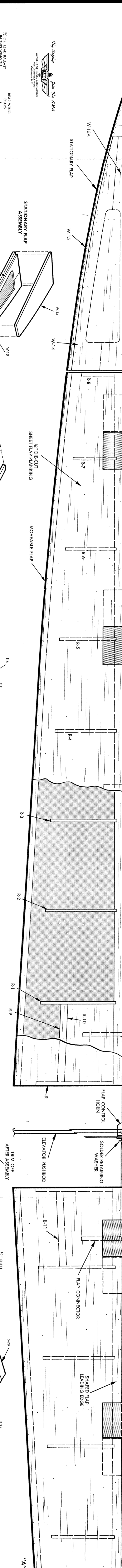
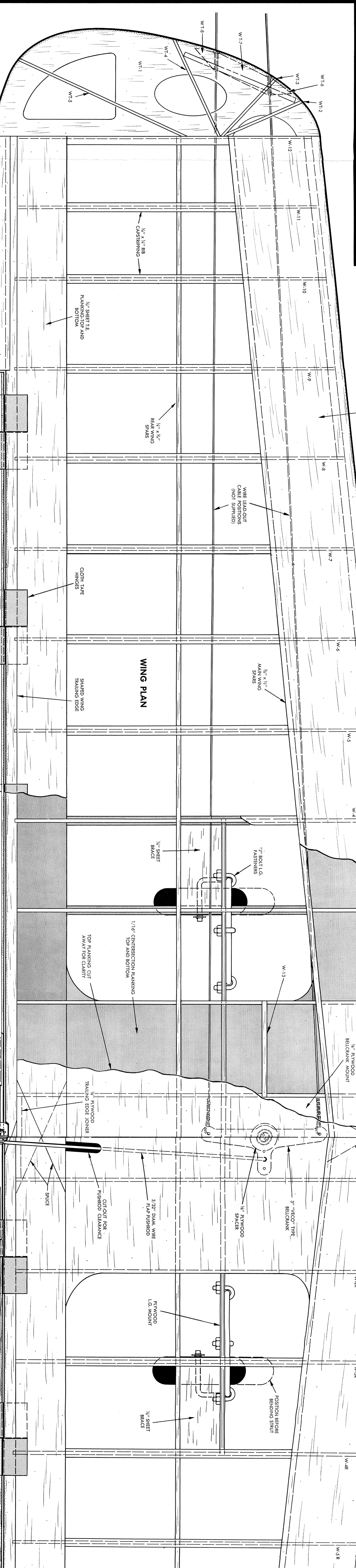


NOTE: MONITOR TOP SHEET PLACING ON OUTSIDE WITH WATER BEFORE APPLYING.

WING ASSEMBLY W.1, W.2, W.3, W.4, W.5, W.6, W.7, W.8, W.9, W.10, W.11, W.12, W.13, W.14, W.15, W.16, W.17, W.18, W.19, W.20, W.21, W.22, W.23, W.24, W.25, W.26, W.27, W.28, W.29, W.30, W.31, W.32, W.33, W.34, W.35, W.36, W.37, W.38, W.39, W.40, W.41, W.42, W.43, W.44, W.45, W.46, W.47, W.48, W.49, W.50, W.51, W.52, W.53, W.54, W.55, W.56, W.57, W.58, W.59, W.60, W.61, W.62, W.63, W.64, W.65, W.66, W.67, W.68, W.69, W.70, W.71, W.72, W.73, W.74, W.75, W.76, W.77, W.78, W.79, W.80, W.81, W.82, W.83, W.84, W.85, W.86, W.87, W.88, W.89, W.90, W.91, W.92, W.93, W.94, W.95, W.96, W.97, W.98, W.99, W.100, W.101, W.102, W.103, W.104, W.105, W.106, W.107, W.108, W.109, W.110, W.111, W.112, W.113, W.114, W.115, W.116, W.117, W.118, W.119, W.120, W.121, W.122, W.123, W.124, W.125, W.126, W.127, W.128, W.129, W.130, W.131, W.132, W.133, W.134, W.135, W.136, W.137, W.138, W.139, W.140, W.141, W.142, W.143, W.144, W.145, W.146, W.147, W.148, W.149, W.150, W.151, W.152, W.153, W.154, W.155, W.156, W.157, W.158, W.159, W.160, W.161, W.162, W.163, W.164, W.165, W.166, W.167, W.168, W.169, W.170, W.171, W.172, W.173, W.174, W.175, W.176, W.177, W.178, W.179, W.180, W.181, W.182, W.183, W.184, W.185, W.186, W.187, W.188, W.189, W.190, W.191, W.192, W.193, W.194, W.195, W.196, W.197, W.198, W.199, W.200, W.201, W.202, W.203, W.204, W.205, W.206, W.207, W.208, W.209, W.210, W.211, W.212, W.213, W.214, W.215, W.216, W.217, W.218, W.219, W.220, W.221, W.222, W.223, W.224, W.225, W.226, W.227, W.228, W.229, W.230, W.231, W.232, W.233, W.234, W.235, W.236, W.237, W.238, W.239, W.240, W.241, W.242, W.243, W.244, W.245, W.246, W.247, W.248, W.249, W.250, W.251, W.252, W.253, W.254, W.255, W.256, W.257, W.258, W.259, W.260, W.261, W.262, W.263, W.264, W.265, W.266, W.267, W.268, W.269, W.270, W.271, W.272, W.273, W.274, W.275, W.276, W.277, W.278, W.279, W.280, W.281, W.282, W.283, W.284, W.285, W.286, W.287, W.288, W.289, W.290, W.291, W.292, W.293, W.294, W.295, W.296, W.297, W.298, W.299, W.300, W.301, W.302, W.303, W.304, W.305, W.306, W.307, W.308, W.309, W.310, W.311, W.312, W.313, W.314, W.315, W.316, W.317, W.318, W.319, W.320, W.321, W.322, W.323, W.324, W.325, W.326, W.327, W.328, W.329, W.330, W.331, W.332, W.333, W.334, W.335, W.336, W.337, W.338, W.339, W.340, W.341, W.342, W.343, W.344, W.345, W.346, W.347, W.348, W.349, W.350, W.351, W.352, W.353, W.354, W.355, W.356, W.357, W.358, W.359, W.360, W.361, W.362, W.363, W.364, W.365, W.366, W.367, W.368, W.369, W.370, W.371, W.372, W.373, W.374, W.375, W.376, W.377, W.378, W.379, W.380, W.381, W.382, W.383, W.384, W.385, W.386, W.387, W.388, W.389, W.390, W.391, W.392, W.393, W.394, W.395, W.396, W.397, W.398, W.399, W.400, W.401, W.402, W.403, W.404, W.405, W.406, W.407, W.408, W.409, W.410, W.411, W.412, W.413, W.414, W.415, W.416, W.417, W.418, W.419, W.420, W.421, W.422, W.423, W.424, W.425, W.426, W.427, W.428, W.429, W.430, W.431, W.432, W.433, W.434, W.435, W.436, W.437, W.438, W.439, W.440, W.441, W.442, W.443, W.444, W.445, W.446, W.447, W.448, W.449, W.450, W.451, W.452, W.453, W.454, W.455, W.456, W.457, W.458, W.459, W.460, W.461, W.462, W.463, W.464, W.465, W.466, W.467, W.468, W.469, W.470, W.471, W.472, W.473, W.474, W.475, W.476, W.477, W.478, W.479, W.480, W.481, W.482, W.483, W.484, W.485, W.486, W.487, W.488, W.489, W.490, W.491, W.492, W.493, W.494, W.495, W.496, W.497, W.498, W.499, W.500, W.501, W.502, W.503, W.504, W.505, W.506, W.507, W.508, W.509, W.510, W.511, W.512, W.513, W.514, W.515, W.516, W.517, W.518, W.519, W.520, W.521, W.522, W.523, W.524, W.525, W.526, W.527, W.528, W.529, W.530, W.531, W.532, W.533, W.534, W.535, W.536, W.537, W.538, W.539, W.540, W.541, W.542, W.543, W.544, W.545, W.546, W.547, W.548, W.549, W.550, W.551, W.552, W.553, W.554, W.555, W.556, W.557, W.558, W.559, W.560, W.561, W.562, W.563, W.564, W.565, W.566, W.567, W.568, W.569, W.570, W.571, W.572, W.573, W.574, W.575, W.576, W.577, W.578, W.579, W.580, W.581, W.582, W.583, W.584, W.585, W.586, W.587, W.588, W.589, W.590, W.591, W.592, W.593, W.594, W.595, W.596, W.597, W.598, W.599, W.600, W.601, W.602, W.603, W.604, W.605, W.606, W.607, W.608, W.609, W.610, W.611, W.612, W.613, W.614, W.615, W.616, W.617, W.618, W.619, W.620, W.621, W.622, W.623, W.624, W.625, W.626, W.627, W.628, W.629, W.630, W.631, W.632, W.633, W.634, W.635, W.636, W.637, W.638, W.639, W.640, W.641, W.642, W.643, W.644, W.645, W.646, W.647, W.648, W.649, W.650, W.651, W.652, W.653, W.654, W.655, W.656, W.657, W.658, W.659, W.660, W.661, W.662, W.663, W.664, W.665, W.666, W.667, W.668, W.669, W.670, W.671, W.672, W.673, W.674, W.675, W.676, W.677, W.678, W.679, W.680, W.681, W.682, W.683, W.684, W.685, W.686, W.687, W.688, W.689, W.690, W.691, W.692, W.693, W.694, W.695, W.696, W.697, W.698, W.699, W.700, W.701, W.702, W.703, W.704, W.705, W.706, W.707, W.708, W.709, W.710, W.711, W.712, W.713, W.714, W.715, W.716, W.717, W.718, W.719, W.720, W.721, W.722, W.723, W.724, W.725, W.726, W.727, W.728, W.729, W.730, W.731, W.732, W.733, W.734, W.735, W.736, W.737, W.738, W.739, W.740, W.741, W.742, W.743, W.744, W.745, W.746, W.747, W.748, W.749, W.750, W.751, W.752, W.753, W.754, W.755, W.756, W.757, W.758, W.759, W.760, W.761, W.762, W.763, W.764, W.765, W.766, W.767, W.768, W.769, W.770, W.771, W.772, W.773, W.774, W.775, W.776, W.777, W.778, W.779, W.780, W.781, W.782, W.783, W.784, W.785, W.786, W.787, W.788, W.789, W.790, W.791, W.792, W.793, W.794, W.795, W.796, W.797, W.798, W.799, W.800, W.801, W.802, W.803, W.804, W.805, W.806, W.807, W.808, W.809, W.810, W.811, W.812, W.813, W.814, W.815, W.816, W.817, W.818, W.819, W.820, W.821, W.822, W.823, W.824, W.825, W.826, W.827, W.828, W.829, W.830, W.831, W.832, W.833, W.834, W.835, W.836, W.837, W.838, W.839, W.840, W.841, W.842, W.843, W.844, W.845, W.846, W.847, W.848, W.849, W.850, W.851, W.852, W.853, W.854, W.855, W.856, W.857, W.858, W.859, W.860, W.861, W.862, W.863, W.864, W.865, W.866, W.867, W.868, W.869, W.870, W.871, W.872, W.873, W.874, W.875, W.876, W.877, W.878, W.879, W.880, W.881, W.882, W.883, W.884, W.885, W.886, W.887, W.888, W.889, W.890, W.891, W.892, W.893, W.894, W.895, W.896, W.897, W.898, W.899, W.900, W.901, W.902, W.903, W.904, W.905, W.906, W.907, W.908, W.909, W.910, W.911, W.912, W.913, W.914, W.915, W.916, W.917, W.918, W.919, W.920, W.921, W.922, W.923, W.924, W.925, W.926, W.927, W.928, W.929, W.930, W.931, W.932, W.933, W.934, W.935, W.936, W.937, W.938, W.939, W.940, W.941, W.942, W.943, W.944, W.945, W.946, W.947, W.948, W.949, W.950, W.951, W.952, W.953, W.954, W.955, W.956, W.957, W.958, W.959, W.960, W.961, W.962, W.963, W.964, W.965, W.966, W.967, W.968, W.969, W.970, W.971, W.972, W.973, W.974, W.975, W.976, W.977, W.978, W.979, W.980, W.981, W.982, W.983, W.984, W.985, W.986, W.987, W.988, W.989, W.990, W.991, W.992, W.993, W.994, W.995, W.996, W.997, W.998, W.999, W.1000.



SHARK "45"
SPECIFICATIONS: 48"
WING SPAN: 48"
WING AREA: 180 SQ. IN.
LENGTH: 47"

SCALE IN INCHES
16 20 24

C. A. ZAIC CO. INC. • 883 LEXINGTON AVE. • BROOKLYN 21 • NEW YORK