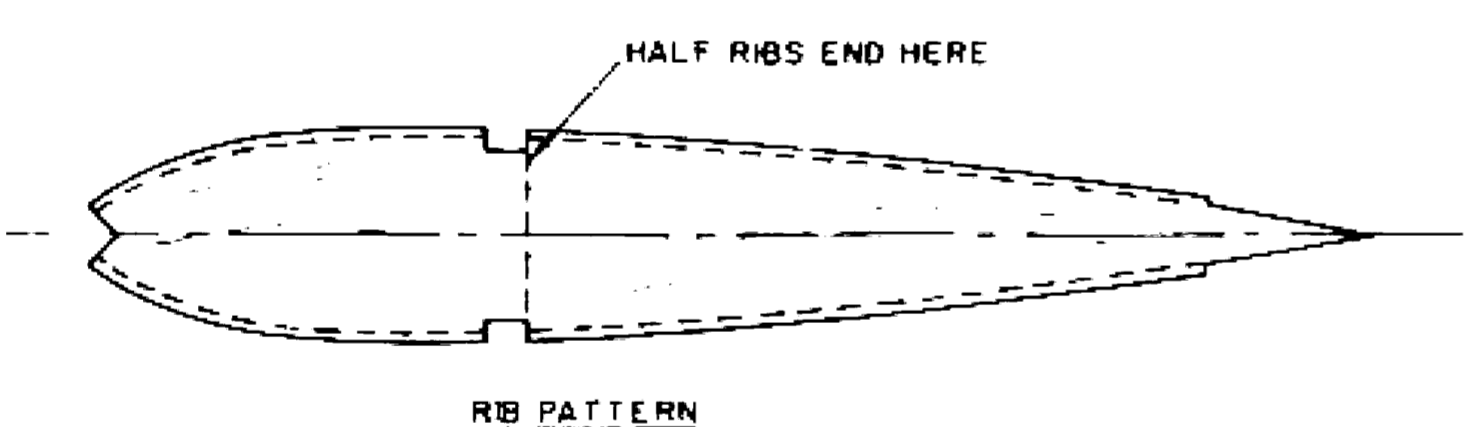
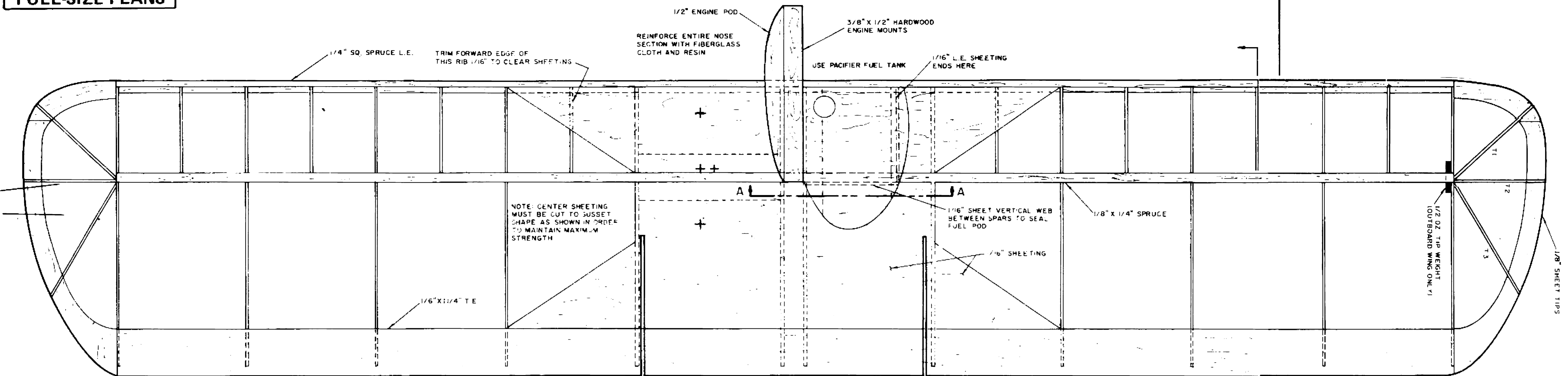
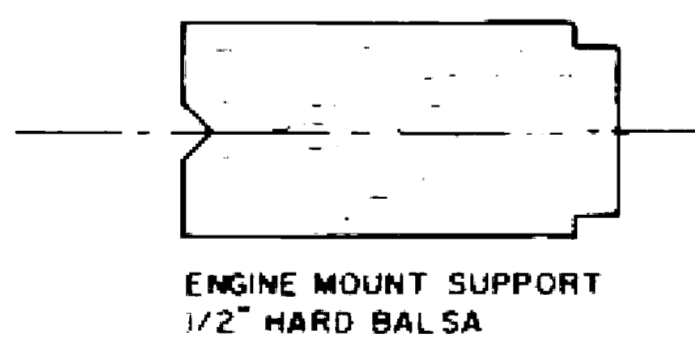


**FULL-SIZE PLANS**

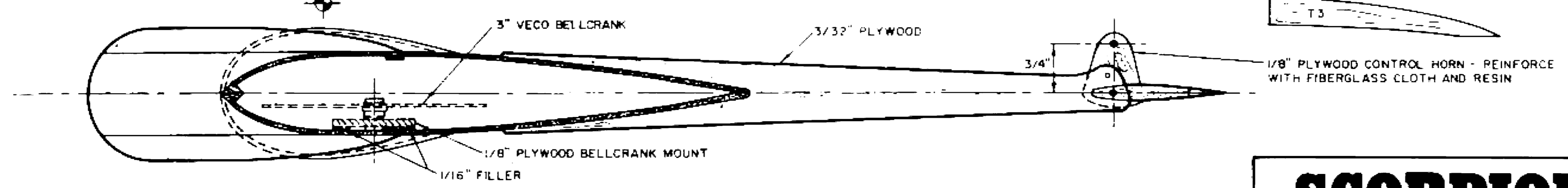
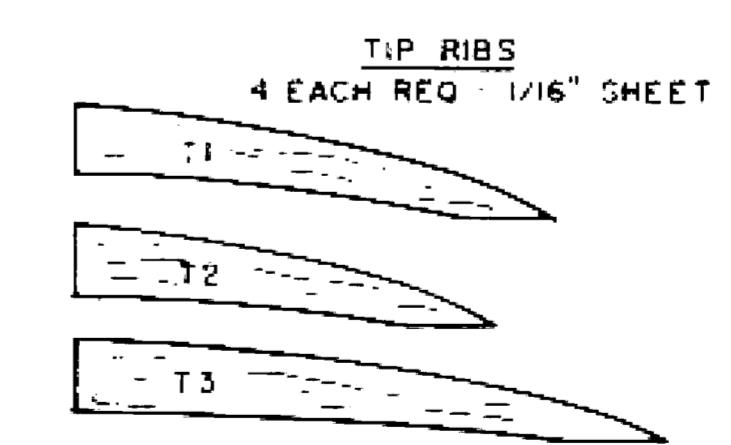
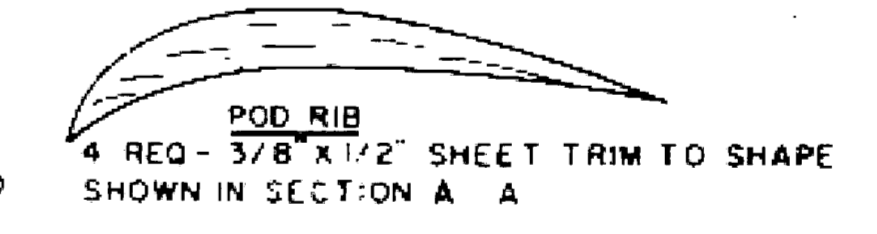
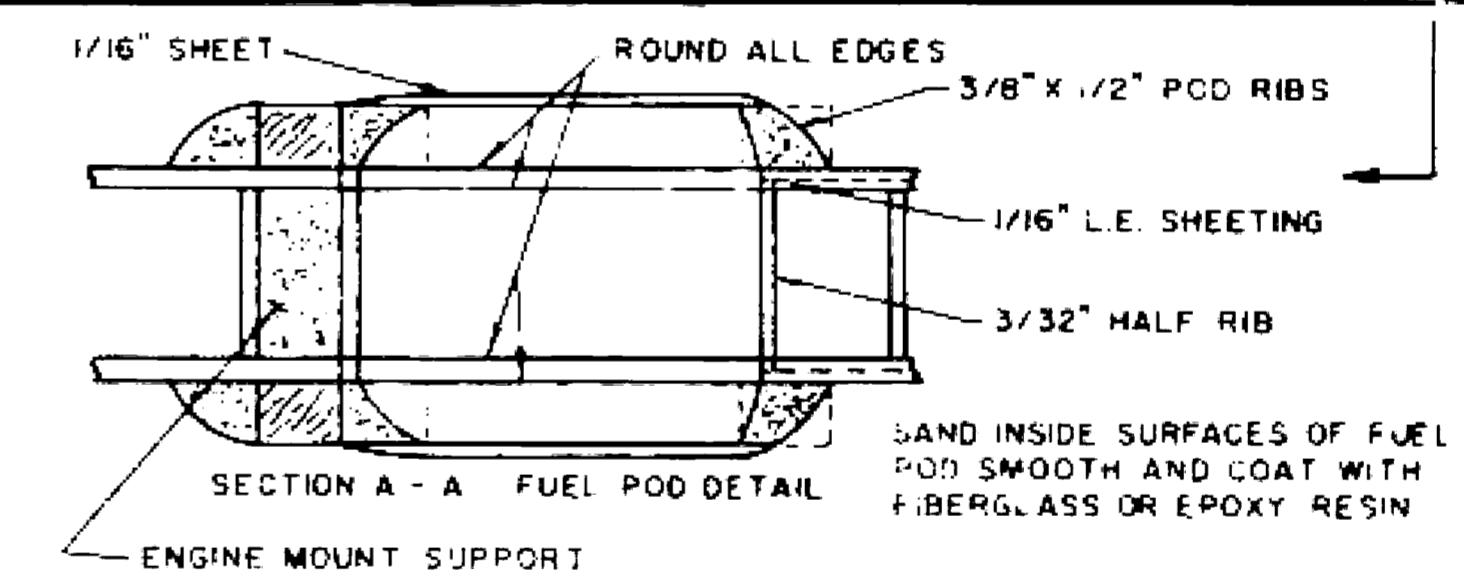
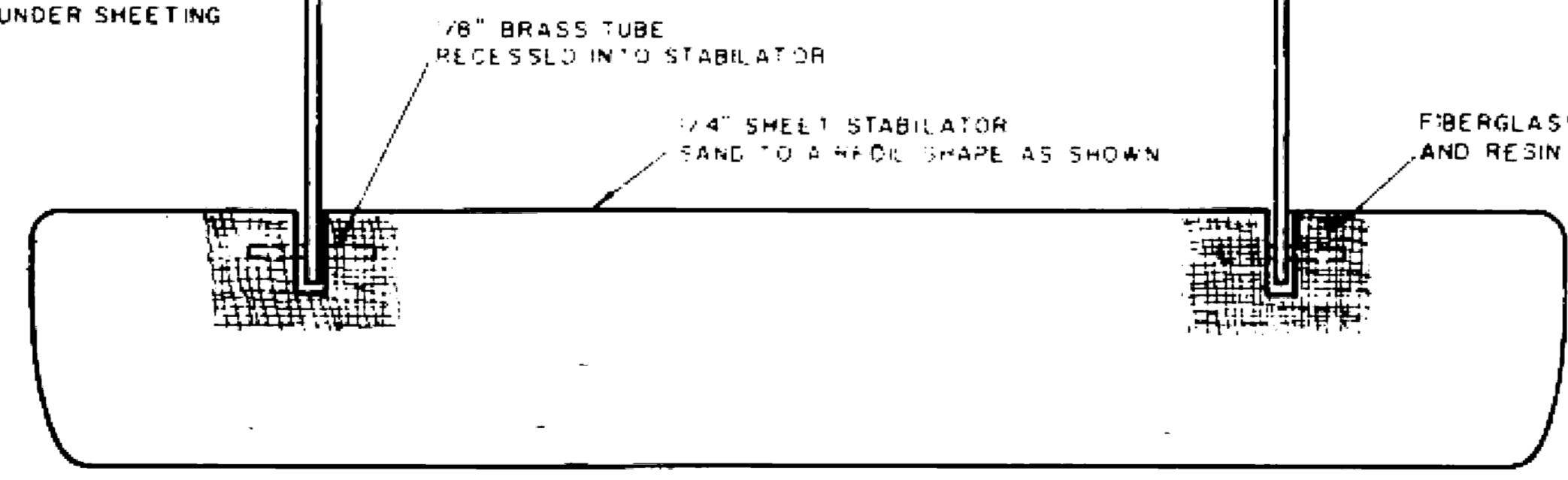


- 6 REQ - 1/16" SHEET - OUTBOARD PANELS
- 4 REQ - 3/32" SHEET - TRIM 1/16" UNDER CENTER SHEETING
- 8 REQ - 1/16" SHEET - HALF RIBS
- 1 REQ - 3/32" SHEET - HALF RIB - TRIM 1/16" UNDER SHEETING



NOTE FOR SAFETY - ATTACH A FLEXIBLE CABLE FROM THE BELLCRANK MOUNT TO THE ENGINE BACKPLATE

**"SCORPION"**  
DESIGNED AND DRAWN BY  
TOM NIEBUHR



**SCORPION**